



# Magnetic wireless sensor

## **RDD3**

Data sheet

Device identification number

## 1. General Information

The RDD3 miniature radio channel magnetic contact sensor (hereinafter referred to as the device) is designed to be used as a door opening sensor. The device generates alarm signals for sensors and enclosure break-in, and transmits them to the control panel.

## 2. Manufacturer

195248,  
Energetikov avenue, building 30, block 8,  
St Petersburg, Russia  
Tel.: +7 911 795 02 02  
[www.ritm.ru/en](http://www.ritm.ru/en)    [world@ritm.ru](mailto:world@ritm.ru)

## 3. Package Contents

Magnetic wireless sensor RDD3	1 pc
N35-6-25 magnet in enclosure	1 pc
CR2032 3 V battery	1 pc
Fastening kit	1 pc
Data sheet	1 pc
Packaging	1 pc

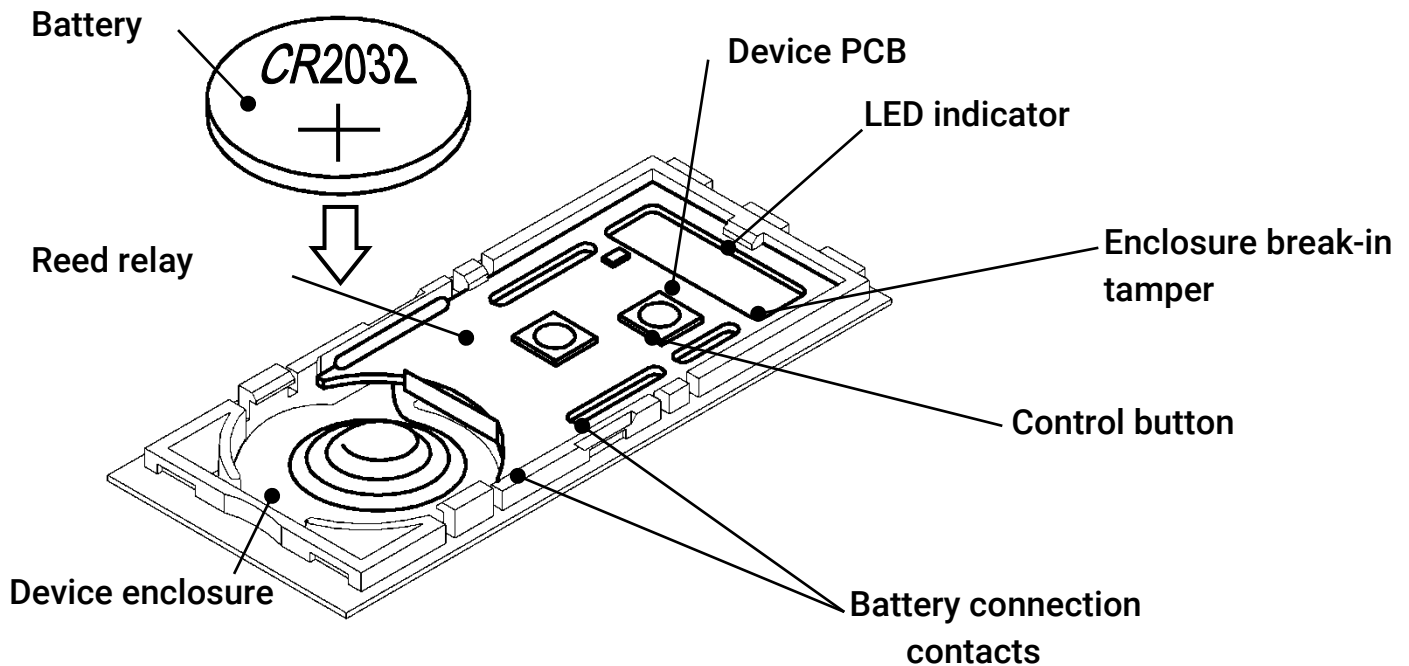
#### 4. Technical Specifications

Parameter	Value
Communication channels band, MHz	433.075–434.775
Number of communication channels	7
Maximum distance for strong signal, line-of-sight, m	600
Transmitter radiated power, mW	not exceeding 10
Reed relay gap (in between magnet), not exceeding, mm	10
Enclosure break-in tamper	Yes
Battery type, 3 V	CR2032
Standalone operation time from one battery, yrs	up to 3 <sup>1</sup>
Dimensions, mm	57×25×6
Weight, g	10
Operating temperature range <sup>2</sup> , °C	-30...+50

<sup>1</sup> The stand alone operation time is directly related to the operating conditions.

<sup>2</sup> Without regard to battery characteristics.

## 5. Designation of Elements



## 6. Indication

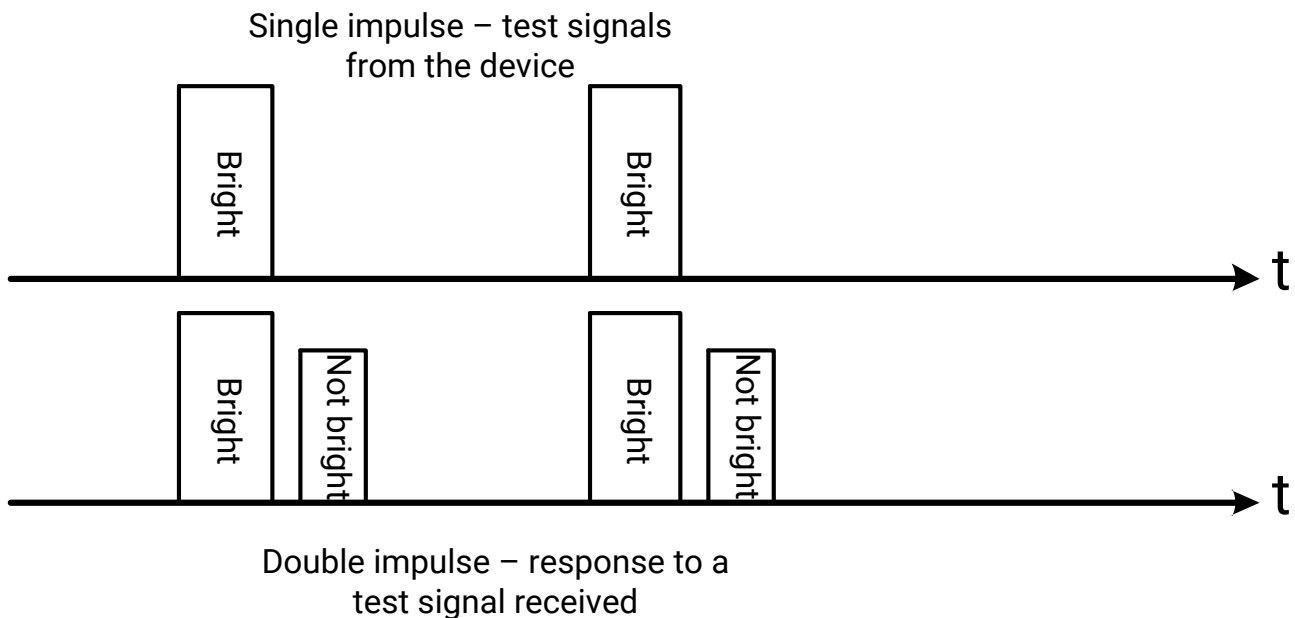


The device indication is only active when the cover is open.

<b>Standby mode</b>		
<b>Red</b>	Blinks very fast	Device not added to control panel radio system
<b>Mode for adding to radio system</b>		
<b>Red</b>	Blinks 1 time per second	Searching for a radio system
<b>Red</b>	Always on	Device added to radio system
<b>Radio channel test mode</b>		
<b>Red</b>	Blinks 2 times per second (1 bright, 1 not bright)	Testing radio channel
<b>Red</b>	Blinks very fast	The device not added to radio system
<b>Configuration hardware reset mode</b>		
<b>Red</b>	Blinks 6 times, then continuously on	Configuration reset to factory settings
<b>Faulty device</b>		
<b>Red</b>	Blinks 5 times after 3 s	Faulty device

## 7. Getting Ready for Operation and Adding to Radio System

- 7.1. Open the enclosure (find the opening, slightly pry it, and shift the cover so that it can be taken out using slots on the opposite side of the enclosure).  
Install a CR2032 3 V battery as shown in the figure.
- 7.2. Reset the settings (see Paragraph 9).
- 7.3. The visual indicator will begin blinking frequently indicating that the device has not yet been added to the radio system.
- 7.4. According to the control panel instruction, switch it to the device addition mode. The distance between the added device and the control panel should be at least 1 m.
- 7.5. Press and hold the control button at the device for 2–3 seconds. Monitor the indication progress, the indicator should go into continuous on state.
- 7.6. To exit the radio system addition mode, again press and release the button; the visual indicator will go off.
- 7.7. To test the connection quality with the control panel, switch the device to the radio channel test mode by pressing and holding the control button for 4–6 seconds.
- 7.8. Make sure the parcel exchange quality is strong (2–3 missed responses are OK for 10 transmitted parcels) in the supposed installation location by referring to LED indicators:

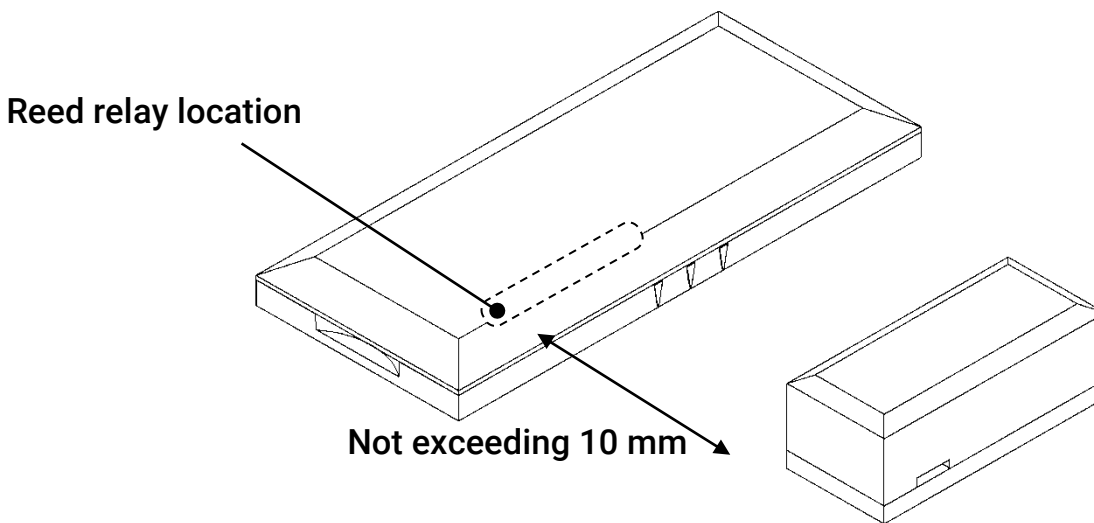


- 7.9. Switch the device to the standby mode by pressing the button once.
- 7.10. If the device is faulty, the indicator blinks red in series of 5 times with 0.5 seconds interval and 3 seconds pause between series.



**Reset the settings before adding the device into the radio system!**

## 8. Installation



A device should be installed on a fixed surface of a door or window opening at least 1 m from the receiving radio channel device. Do not place the device in the vicinity of EMI sources, large metal objects and structures, power cable runs.

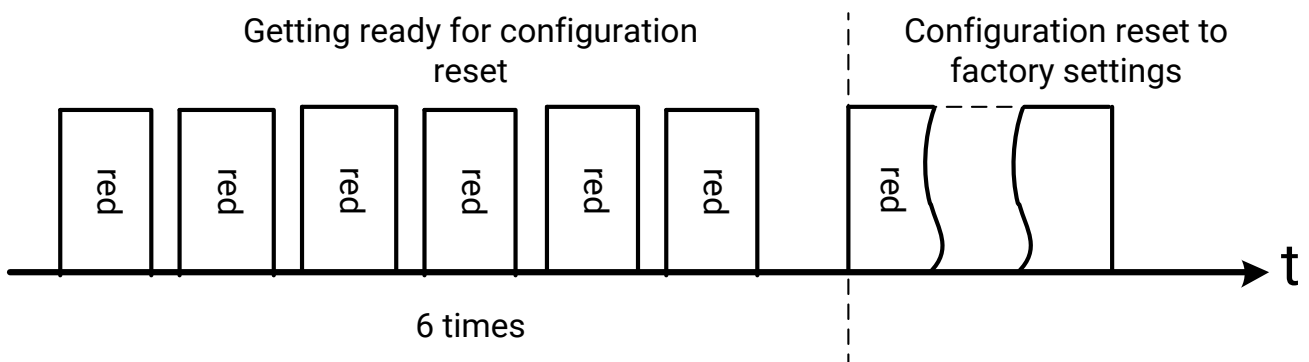
- 8.1. Open the device enclosure and install the enclosure base at the planned location.
- 8.2. The mating piece (N35-6-25 magnet) should be installed to a window frame or door not further than 10 mm away from the reed relay (see figure above).
- 8.3. The device is ready for operation.



The radio signal strength between the device and the control panel is determined by the level of signal attenuation, which can be seen in the configuration software (page Sensor Status Map), upon connection to the panel. For more information please refer to the control panel user manual.

## 9. Hardware Reset to Factory Settings

- 9.1. Open the enclosure, then press and hold the control button until the LED indication is:



- 9.2. Release the button, the LED will begin blinking frequently, indicating that the device has been removed from the radio system and its configuration has been reset to factory settings.

## **10. Transportation and Storage**

The device should be transported in packaging in closed vehicles. Storage premises should be free of current-conducting dust, acid and alkaline fumes, corrosive gases and gases harmful to insulation.

## **11. Maintenance and Safety Measures**

All setup and maintenance activities applied to the device should be performed by duly qualified personnel.

## **12. Manufacturer's Warranties**

The manufacturer guarantees that the device complies to requirements of the technical specifications, provided the client ensures compliances to conditions of transportation, storage, installation and operation.

Although **the warranty period** is 12 months from the commissioning date, it may not exceed 18 months from the production date.

**The warranty storage period** is 6 months from the production date.

The warranty does not cover the battery.

The manufacturer reserves the right for modification of the device in any way that does not degrade its functional characteristics without prior notice.

## **13. Information on Claims**

In case of a device failure or defect during the warranty period, please fill in a malfunction report specifying the dates of issue and commissioning of the device and nature of the defect and submit it to the manufacturer.

**For Notes**